

T1318C-WA

1.28mm F1.8

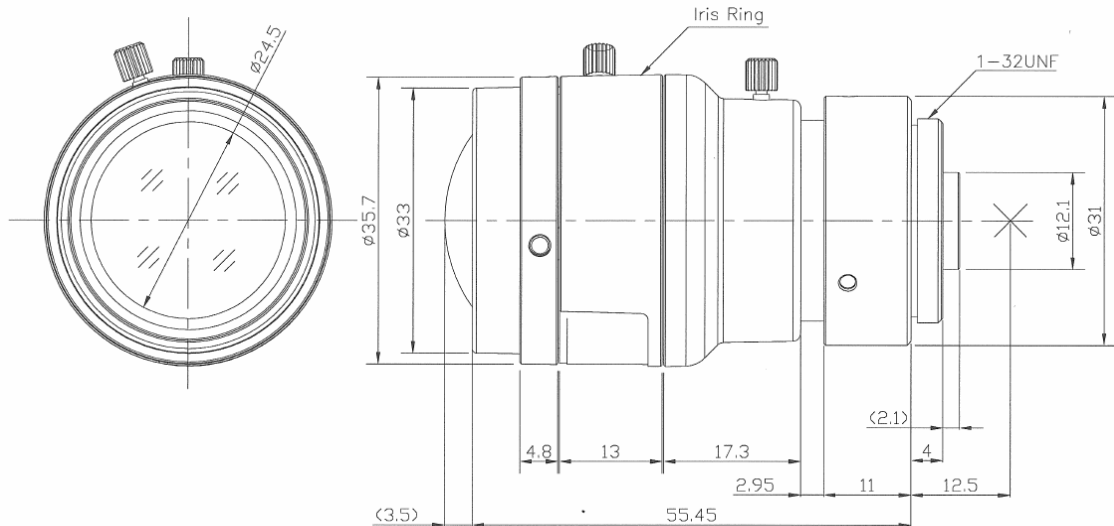
for 1/3 type Cameras, Fixed-focal Manual Iris

C-Mount

Model No.		T1318C-WA		Effective	Front	φ 23.4mm	
Focal Length		1.28mm		Lens Aperture	Rear	φ 5.2mm	
Max. Aperture Ratio		1:1.8		Back Focal Length		6.48mm	
Max. Image Format		4.8mm x3.6 mm(φ 6mm)		Flange Back Length		17.526mm	
Operation Range	Iris	F1.8 - closed		Mount		C-Mount	
	Focus	10mm - Inf.		Filter Size		---	
Control	Iris	Manual		Dimensions		φ 33mm x 59 mm	
	Focus	Manual		Weight		100g	
Object Dimension at M.O.D		7 cm x 5.25 cm					
Angle of View	D	1/2.5 type	141°	1/3 type	137°	1/4 type	122°
	H	(φ 7.2mm)	135°	(φ 6mm)	125°	(φ 4.5mm)	109°
	V		119°		109°		93°
Operating Temperature		-20°C - +50°C					

M.O.D : Minimum Object Distance

Dimensions



Notices

- Linear optical technology which allows the ultra wide angle lens to maintain very low distortion inverts the image. This requires the camera to be mounted upside down or the image to be inverted electronically.
- Before installing the lens, make sure the lens is rotated fully towards the "near" focus position (fully rotated counterclockwise).